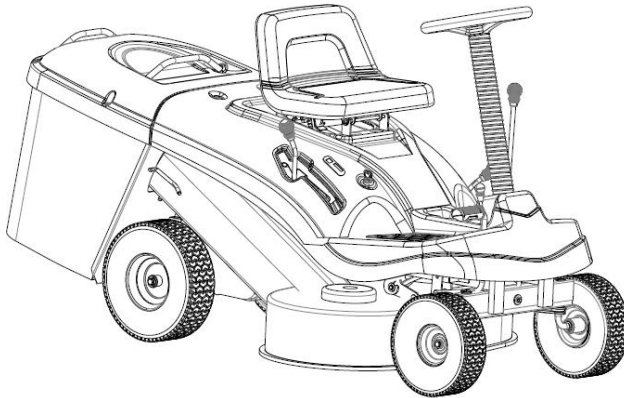


# FEIDER MACHINES

## BATTERY RIDING LAWN MOWER

FRE7050 / FRE7050-UK

### INSTRUCTION MANUAL



BUILDER SAS

ZI – 32, rue Aristide Bergès, 31270 Cugnaux, France



**WARNING!** Please read all safety instructions and advises to avoid the risk of injuries.



## INTRODUCTION

Dear Customer,

Thank you for having chosen one of our products. We hope that you will get complete satisfaction from using your new machine and that it will fully meet all your expectations. This manual has been compiled in order that you may get to know your machine and to be able to use it safely and efficiently. Don't forget that it forms an integral part of the machine, so keep it handy so that it can be consulted at any time.

This new machine of yours has been designed and made in line with current regulations, and is safe and reliable if used for cutting and collecting grass according to the instructions given in this manual (**proper usage**). Using the machine in any other way or ignoring the instructions for safe usage, maintenance and repair is considered "**incorrect usage**" (☛5.1) which will invalidate the guarantee and the manufacturer will decline all responsibility, placing the blame with the user for any damage or injury to himself or others in such cases.

Since the product is continually being improved, you may find slight differences between your machine and the descriptions contained in this manual. Certain modifications can be made to the machine without prior warning and without the obligation to update the manual, although the essential safety and function characteristics will remain unaltered. In case of any doubts, do not hesitate to contact your Retailer or Licensed Service Centre. And now enjoy your work!

### **After sale service**

This manual gives all the necessary instructions for using the machine and the basic maintenance that may be carried out by the user.

For any information not contained here, contact your Local Retailer or a Licensed Service Centre.


If you wish, your Retailer will be pleased to offer maintenance programmed personalized to your needs. This will enable you to keep your new acquisition in peak performance, maintaining its value.


## 1. SAFETY

### 1.1 HOW TO READ THE MANUAL

This manual describes various versions of the machine, which mainly differ in:


- Type of transmission: with either mechanical gear change or continuous speed converter.
- The inclusion of components or accessories which may not be available in some areas.
- Special equipment fitted.


The symbol “” highlights all the differences in usage and is followed by the indication of the version that it refers to.

The symbol “” makes a reference to another part of the manual where further information or clarification can be found.

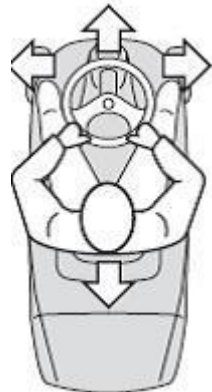
Some paragraphs in the manual containing information of particular importance for safety and operation are highlighted and signify the following:

**NOTE** or **IMPORTANT** These give details or further information on what has already been said, and aim to prevent damage to the machine.

** WARNING!** Non-observance will result in the risk of injury to oneself or

** DANGER!** Non-observance will result in the risk of serious injury or death to oneself or others.

**NOTE** Whenever a reference is made to a position on the machine “front”, “back”, “left” or “right” side, this is determined by facing the direction of forward travel.



## 1.2 GENERAL SAFETY REGULATIONS



**WARNING!**

Read carefully before using the machine.

### A) TRAINING

- 1) **Read the instructions carefully.** Be familiar with the controls and how to use the equipment properly.
- 2) Never let children or people unfamiliar with these instructions use the machine. Local regulations can restrict the age of the user.
- 3) **Never mow while people, especially children, or pets are nearby.**
- 4) Keep in mind that the operator or user is responsible for accidents or hazards occurring to other people or their property.
- 5) Do not carry passengers.
- 6) All drivers should seek and obtain professional and practical instruction. Such instruction should emphasize:
  - The need for care and concentration when working with ride on machines.
  - You cannot use the brake to regain control of a ride-on machine sliding down a slope.
    - The main reasons for loss of control are:
      - Insufficient wheel grip.
      - Over speeding.
      - Inadequate braking.
    - The type of machine is unsuitable for its task.
    - Unawareness of the effect of ground conditions, especially slopes.

### B) PREPARATION

- 1) **While mowing, always wear sturdy footwear and long trousers.** Do not operate the equipment barefoot or wearing open sandals.
- 2) Thoroughly inspect the area where the equipment is to be used and remove all objects which can be ejected from the machine.
- 3) **Before use,** always visually inspect to see that the blade, blade bolts and cutter assembly are not worn or damaged. Replace the worn or damaged blade and bolts in sets to preserve the balance;

### C) OPERATION

- 1) Mow only in daylight or good artificial light.
- 2) Before starting the engine, disengage the blades and shift into neutral.
- 3) **Do not use on slopes of more than 10° (17%).**
- 4) **Remember there is no such thing as a "safe" slope.** Travelling on grass slopes requires particular care. To guard against overturning:
  - Do not stop or start suddenly when going up or downhill.

- Engage the drive slowly and always keep the machine in gear, especially when travelling downhill.
  - Machine speeds should be kept low on slopes and during tight turns.
  - Stay alert for humps and hollows and other hidden hazards.
  - **Never mow across the face of the slope.**
- 6) Stop the blade from rotating before crossing surfaces other than grass.
- 7) **Never use the machine with damaged guards, or without the safety protective devices in place.**
- 8) Before leaving the driving seat:
- Disengage the blades and lower the attachments.
  - Go into neutral and apply the parking brake.
  - Stop the engine and remove the ignition key (*in the electric start models*).
- 10) **Disengage the blade, stop the engine and remove the ignition key (*in the electric start models*):**
- Before clearing blockages or unclogging chutes.
  - Before cleaning, checking or working on the machine.
  - After striking a foreign object. Inspect the machine for any damage and make repairs before restarting and operating the equipment.
  - If the machine starts to vibrate abnormally (inspect it immediately).
- 11) Disengage the blade when transporting or whenever it is not in use.
- 12) **Stop the engine and disengage the blade:**
- Before removing the grass-catcher
- 13) Reduce the throttle setting before stopping the engine.

## D) MAINTENANCE AND STORAGE

- 1) Keep all nuts, bolts and screws tight to be sure the equipment is in safe working condition.
- 2) Check the grass-catcher frequently for wear or deterioration.
- 3) **Replace worn or damaged parts for safety purposes.**
- 4) If the fuel tank has to be drained, this should be done outdoors.
- 5) When the machine is to be stored or left unattended, lower the cutting deck.

### 1.3 SAFETY LABELS

Your machine must be used with care. Therefore, labels have been placed on the machine to remind you pictorially of the main precautions to take during use. These labels are to be considered an integral part of the machine.



**Warning:** Read the Operator's Manual before operating this machine.



**Warning (in the electric start models):** remove the key and read the instructions before carrying out any maintenance or repairs.



**Warning:** Protect the device from rain and do not leave it outdoors in the rain!



Protection must be worn



**Warning:** Electric shock



**Danger! Ejected objects:** Keep bystanders away.



**Danger! Dismemberment:** Make sure that children stay clear of the machine all the time when engine is running.



**Danger!** Ejected objects: Do not operate without the grass catcher in place.



**Danger! Machine rollover:** Do not use this machine on slopes greater than 10°.



**Danger of cutting yourself.** Blade in movement. Do not put hands or feet near or under the opening of the cutting plate.



**Danger!** Away from the danger of combustible substances.



**Danger!** Do not near the operational machine.



Guaranteed sound power level for this device



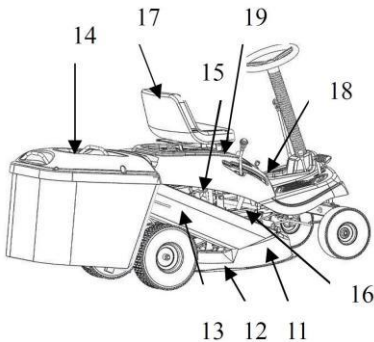
The device complies with the relevant safety standards.

## 2. IDENTIFICATION OF THE MACHINE AND COMPONENTS

### 2.1 IDENTIFICATION OF THE MACHINE

The identification label has the essential data of each machine.

### 2.2 NAME AND ADDRESS OF MANUFACTURER



The machine is composed of a series of main component.

**11. Cutting deck:** this is the guard enclosing the rotating blade.

**12. Blade:** this is what cuts the grass. The wings at the ends help convey the cut grass towards the collector channel.

**13. Collector channel:** this is the part connecting the cutting deck to the grass-catcher.

**14. Grass-catcher:** as well as collecting the grass cuttings, this is also a safety element in that it stops any objects drawn up by the blade from being thrown outside of the machine.

**15. Battery:** this moves the blade and drives the wheels.

**16. Driver seat:** this is where the machine operator sits. It has a sensor which detects the presence of the operator and acts as a safety device.

**17. Labels for regulations and safety:** give reminders on the main provisions for working safely, each of which is explained in chapter 1.

### 3. UNPACKING AND ASSEMBLY

For storage and transport purposes, some components of the machine are not installed in the factory and have to be assembled after unpacking. Follow the instructions below.

**⚠ WARNING!** Unpacking and completing the assembly should be done on a flat and stable surface, with enough space for machine handling and its packaging, always making use of suitable equipment.

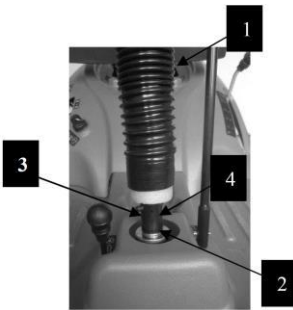
#### 3.1 UNPACKING

When unpacking the machine, take care to gather all the individual parts, fittings and documentation.

**NOTE** To avoid damaging the cutting deck when getting the machine down from the pallet, take it to the maximum height and be very careful.

Disposal of the packaging should be done in accordance with the local regulations in force.

#### 3.2 FITTING THE STEERING WHEEL

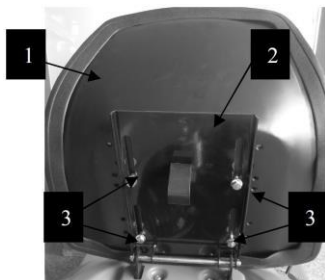


Put the machine on a flat surface and straighten up the front wheels.

1. fit the steering wheel (1) onto the protruding shaft (2) and fasten it with the screws (3) and nuts (4) supplied.

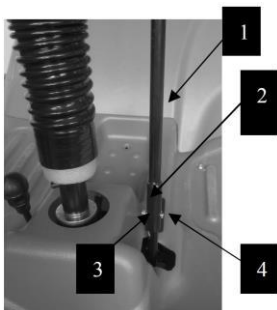


### 3.3. FITTING THE SEAT



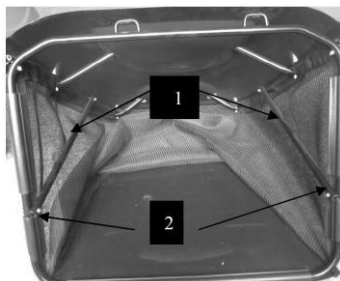
Fit the seat (1) onto the plate (2) using the screws (3).

### 3.4 FITTING THE BLADE ENGAGEMENT LEVER



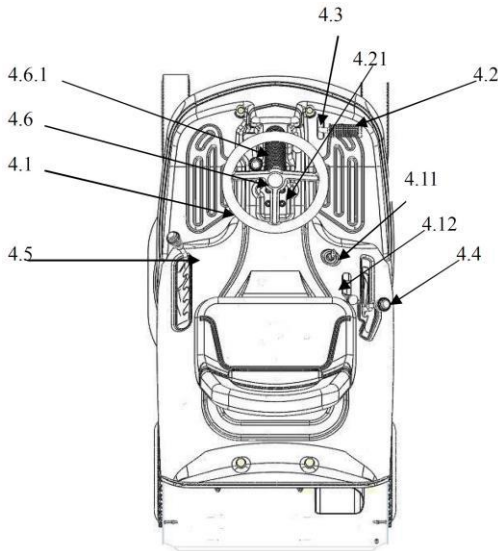
Fit the end of the lever (1) on the projecting part of the pin (2) and fix it all by tightening the screw (3) and nut (4).

### 3.6 FITTING THE GRASS-CATCHER



Fit the two tie rods (1) and fasten them by using the screws (2).

## 4. CONTROLS AND INSTRUMENTS

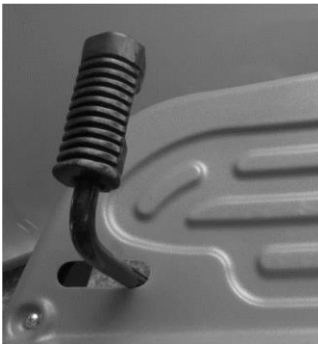


### 4.1 STEERING WHEEL

Turns the front wheels.

### 4.2 CLUTCH / BRAKE PEDAL

This pedal has a double function: during the first part of its travel it acts as a clutch, engaging and disengaging drive to the wheels, and in the second part it works the brake.



#### IMPORTANT

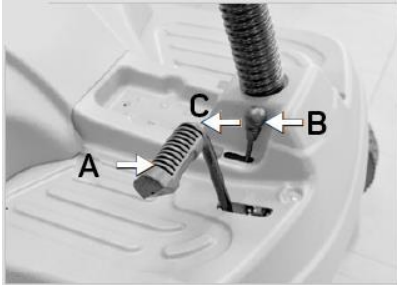
Do not keep the pedal half way of clutch engagement or disengagement, as this can cause overheating and damage the transmission belt.

#### NOTE

When the machine is in movement, keep your foot off the pedal.

### 4.3 PARKING BRAKE LEVER

This lever stops the machine from moving when it has been parked.  
There are two positions:



⤵ «A» = Brake off

Ⓟ «B» = Brake engaged

- The brake is engaged by pressing the pedal (➡4.2) right down and moving the lever to position «B». When you take your foot off the pedal it will be blocked by the lever in the down position.

- To disengage the parking brake, press the pedal (➡4.2). The lever will return to position «C».

### 4.4 SPEED CHANGE LEVER



This lever has six positions for the four forward gears, the neutral position «N», and reverse «R».

- To change gear, press the pedal (➡4.2) halfway down and move the lever as per the indications on the label.



**WARNING!**

Reverse must be engaged when the machine has stopped.

### 4.5 CUTTING HEIGHT ADJUSTING LEVER



There are five positions for this lever, shown as «1» to «5» on the plate, which correspond to various cutting heights from 3.5 to 7.5 cm.

- To go from one position to another, move the lever sideways and put it back in one of the stop notches.

#### 4.6 LEVER ENGAGEMENT AND BRAKE OF BLADE



The lever has two positions, as shown on the plate:

☞ «A» = **Blade disengaged**

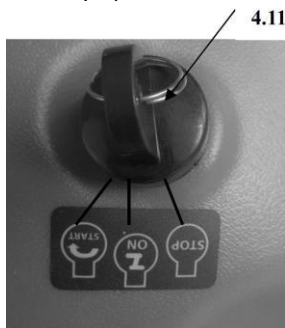
☜ «B» = **Blade engaged**

If the blade is engaged when safety conditions have not been complied with, the engine shuts down and cannot be restarted ( 5.2).

- In disengaging the blade (Pos. «A»), a brake is simultaneously activated which stops their rotation within a few seconds.

#### 4.11 KEY IGNITION SWITCH

This key operated control has three positions:



**(stop)** everything is switched off

**(on)** activates all parts

**(start)** engages the starter

On being released at the «START» position, the key will automatically return to «ON»

#### 4.12 VOLTAGE INDICATOR

Show the voltage, drive speed and if blades are working.



- 1** «Voltage» green full of power, red out of power.
- 2** «Speed» for maximum engine speed
- 3** «Blades light» Lights will on when blades working.

## 5. HOW TO USE THE MACHINE

### 5.1 SAFETY RECOMMENDATIONS

**⚠ DANGER!** The machine must only be used for the purpose for which it was designed (cutting and collection of grass).

Using the machine in any other way is considered "improper use" which will invalidate the warranty, relieve the manufacturer from all liabilities, and the user will consequently be liable for all and any damage or injury to himself or others.

Examples of improper use may include, but are not limited to:

- Transport people, children or animals on the machine or on a trailer.
- Tow or push loads.
- Use of the machine for moving over unstable, slippery, icy, stony, rough, marshy ground and puddles that do not allow for evaluation of the consistency of the ground.
- Use of the machine for leaf or debris collection.
- Use of the blades on surfaces other than grass.

**⚠ DANGER!** Do not tamper with or remove the safety devices fitted to the machine. REMEMBER THAT THE USER IS ALWAYS RESPONSIBLE FOR DAMAGE AND INJURIES TO OTHERS. Before using the machine:

- Read the general safety regulations (☞ 1.2), paying particular attention to driving and cutting on slopes.
- Carefully read the instructions for use, become familiar with the controls and on how to quickly stop the blade and engine.
- Never put your hands or feet next to or beneath the rotating parts and always keep away from the discharge opening.

Do not use the machine when in a precarious state of health or under the effect of medicines or other substances that can reduce your reflex actions and your ability to concentrate. It is the user's responsibility to assess the potential risk of the area where work is to be carried out, as well as to take all the necessary steps

to ensure his own safety and that of others, particularly on slopes or rough, slippery and unstable ground. Do not leave the machine stopped on high grass with the engine running to avoid the risk of starting a fire. Always lower the speed when changing direction, especially on tight turns.

**⚠ WARNING!**

This machine must not be used on slopes greater than 10°

(17%) (☞5.5).

**IMPORTANT**

All the references relating to the positions of controls are those described in chapter 4.

### 5.2 WHY THE SAFETY DEVICES CUT IN

The safety devices work in two ways:

- By preventing the engine from starting if all the safety requirements have not been met.
- By stopping the engine if even just one of the safety requirements is lacking.

a) The engine must only be started in the following conditions:

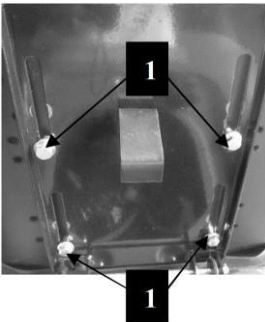
- The transmission is in "neutral".
- The blade is not engaged.
- The operator is seated or the parking brake is engaged.

b) The engine stops when:

- The operator leaves his seat when the blade is engaged.
- The operator leaves his seat with a gear engaged.
- The grass-catcher is lifted without disengaging the blade.
- The blade is engaged without the grass-catcher in place.
- The parking brake is engaged without disengaging the blade.
- The speed change is activated (☞ 4.4) with the parking brake on.

### 5.3 PRELIMINARY OPERATIONS BEFORE STARTING WORK

These controls ensure that the work gives the best results and is done in maximum safety.



#### 5.3.1 Seat adjustment

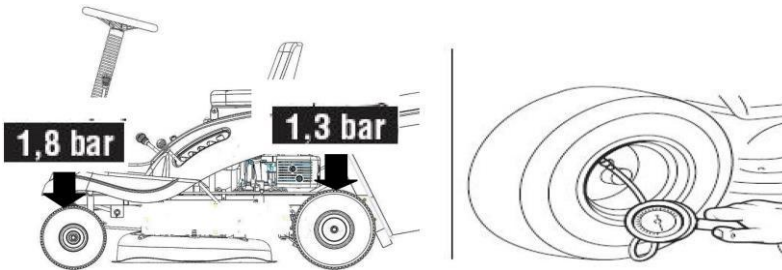
Adjust the seat by sliding it along the bracket slots.

1. Loosen the four screws (1).
2. once you have found the right position, securely tighten the four screws (1).

### 5.3.2 Tire pressure

Having the correct tire pressure is essential for ensuring that the cutting deck is perfectly horizontal and thus mows evenly.

1. Unscrew the valve caps
2. Connect a compressed air line with a gauge to the valves and adjust the pressure to the indicated values.
3. Screw the valve caps back on.

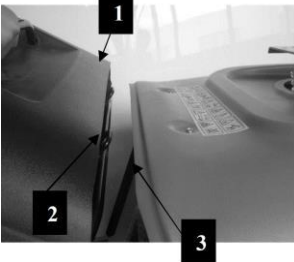


### 5.3.4 Fitting the protections at the exit (grass catcher)



**WARNING!**

Never use the machine without having fitted the exit protection!



Hook the grass-catcher (1) onto the brackets (2) and centre it up with the rear plate, so that the two reference marks (3) coincide.

### 5.3.5 Checking machine safety and efficiency

1. Check that the safety devices function as described (☛ 5.2).
2. Check that the brake is in perfect working order.
3. Do not start mowing if the blade vibrates or if you are unsure whether they are sharp enough. Always remember that:

- A badly sharpened blade pulls at the grass and causes the lawn to turn yellow.
- A loose blade causes unwanted vibrations and can be dangerous.

**⚠ WARNING!** Do not use the machine if you are unsure whether it is working safely or efficiently. If in doubt, contact your Dealer immediately to make the necessary checks and repairs.

## 5.4 USING THE MACHINE

### 5.4.1 Starting the engine

**⚠ DANGER!** All starting operations have to be effected in an open or well-ventilated area! ALWAYS REMEMBER THAT EXHAUST GASES ARE TOXIC!

To start the engine:

1. Sit on the seat and press the brake pedal right down (☛ 3).
2. Put the transmission into neutral («N») (☛ 4.4).
3. Disengage the blade (☛ 4.6).
4. For cold starting, put the accelerator lever in the «CHOKE» position (if fitted) as shown on the label (☛ 4.12).

Alternatively, if the engine is still hot or without a choke, position the lever between «SLOW» and «FAST».



Electric start

5. Put in the key (☛ 4.11) and turn to «ON» to make electrical contact, then turn to «START» to start the engine.
6. Release the key once the engine has started.

### 5.4.2 Starting and moving without mowing

**⚠ WARNING!** This machine has not been approved for use on public roads. It has to be used (as indicated by the Highway Code) in private areas closed to traffic.

#### NOTE

When moving the machine, the blade must be disengaged and the cutting deck put at its highest position.



To start the forward movement:

1. Push the pedal right down (☛4.2) and put the gear change lever in 1st gear (☛4.4a).
2. Release the pedal gradually to begin the movement.  
Reach the desired operating speed using the accelerator and gear lever. To change gear, the clutch must always be used by pushing the pedal (☛4.2).

**⚠ WARNING!** The pedal must be released gradually as sudden engagement may cause tipping up and loss of control of the vehicle.

**⚠ WARNING!** Do not suddenly release the pedal and do not start moving with the gear shift more than 1/3 of the way to avoid suddenly engaging drive which could cause the vehicle to tip and loss of control.

### 5.4.3 Braking

To brake:

1. First slow down the machine by reducing the engine speed.
2. Push the pedal right down (☛4.2) to lower the speed even more until the machine stops.
3. Move the speed gear shift (☛4.4) to idle «N» to permit gradual motion.

### 5.4.4 Reverse

**IMPORTANT** Reverse MUST be engaged only when the machine has stopped.

1. When the machine has stopped, put it in reverse by moving the lever sideways to position «R» (☛4.4).
2. Gradually release the pedal to engage the clutch and then begin moving in reverse.

### 5.4.5 Grass cutting

**IMPORTANT** The machine is not designed for heavy duty use or for mowing large quantities of grass.



**IMPORTANT**

The blade is engaged by means of a clutch device.

To avoid damage or premature wear of the friction elements, strictly observe the following instructions:

To start cutting:

1. Remove any foreign objects that could be hit by the blade (stones, branches, bones, wire etc.) and mark off the position of hidden elements that cannot be moved (roots, sprinklers etc.)
2. Check that the grass-catcher is fitted properly.
3. Put the accelerator lever into the «FAST» position.
4. Bring the cutting deck to the highest position before engaging the blade.
5. Only engage the blade (☛4.6) without pausing in the intermediate positions when on the grass lawns. Avoid engaging the blade on stony ground or when the grass is very high.
6. Start moving forwards onto the grass area very gradually and with particular caution, as already described.
7. On rough ground, adjust the cutting height to prevent the blade from knocking against uneven ground or foreign objects, damaging the blade and bracket.
8. Engage the most suitable gear in order to reach the desired forward speed (1st - 2nd gear) and adjust the cutting height (☛4.5) so that the quantity of grass to be removed is not too much that it jams the blade or clogs up the collector channel.

**⚠ WARNING!** When cutting on sloping ground, the forward speed must be reduced to ensure safe conditions (☛1.2 - 5.5).

- Lower the speed whenever you note a reduction in engine speed, since a forward speed that is too fast compared to the amount of grass being cut will never mow the grass well.
- Disengage the blade and put the cutting deck in the highest position whenever you need to get past an obstacle or a hump.
- Use the 3rd gear only when moving the machine from one area to the other.

#### 5.4.6 Emptying the grass-catcher



The grass-catcher is full when the grass cuttings remain on the lawn. If you continue mowing with the grass-catcher full, it may block the collector channel.

To empty the grass-catcher:

1. Lower speed.
  2. Go into neutral (N) (☛ 4.4) and stop the machine's forward movement.
  3. Disengage the blade (☛ 4.6).
4. Engage the parking brake on slopes.
  5. Hold onto the rear handle and tip up the grass-catcher to empty it.

**NOTE** This operation can only be done with the blade disengaged, otherwise the engine stops.

#### 5.4.7 Unblocking the collector channel

**⚠ WARNING!** This job must only be performed with the engine Turned off. If the collector channel gets blocked (due to accumulated grass cuttings filling up the grass-catcher or an excessively high speed with relation to the quantity of grass cuttings), you need to:

1. Stop forward movement immediately, disengage the blade and stop the engine.
2. Remove the grass-catcher.
3. Remove the accumulated cuttings, reaching them from the exit of the collector channel.

#### 5.4.8 End of mowing

When you have finished mowing, disengage the blade, lower the engine speed and ride the machine with the cutting deck in the highest position.

#### 5.4.9 End of work

Once you have finished mowing, stop the machine and engage the parking brake.



Electric start

1. Switch off the engine by turning the key to «STOP».

**⚠ WARNING!** Always take out the ignition key before leaving the machine unattended!

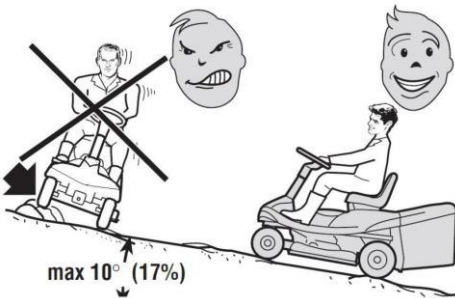
#### 5.4.10 Cleaning the machine

After each mowing, clean the outside of the machine, empty the grass-catcher and shake it to remove residual grass and earth.

**⚠ WARNING!** Always empty the grass-catcher and do not leave containers full of cut grass inside a room.

#### 5.5 USING ON SLOPES

When mowing lawns on a slope, observe the maximum gradients already mentioned (**max 10° - 17%**) and move up and down but never across them. Take great care when changing direction that the highest wheels do not hit obstacles (such as stones, branches, roots, etc.) that may cause the machine to slide sideways, tip over or otherwise cause loss of control.



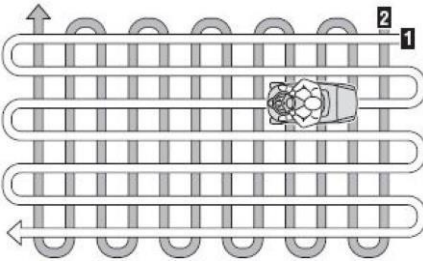
**⚠ DANGER!** SLOW DOWN BEFORE CHANGING DIRECTION ON SLOPES. Never use reverse to reduce speed going downhill: you may lose control of the machine, particularly on slippery surfaces. Never ride the machine on slopes in neutral or with the clutch out! Always engage a low gear and the parking brake before leaving the machine at a stopped and unattended.

**⚠ WARNING!** Take care when beginning forward movement on sloping ground to prevent the risk of tipping up. Reduce the forward speed before going on a slope, particularly downhill.

## 5.6 TRANSPORTING

**⚠ WARNING!** If the machine is transported on a truck or trailer, use ramps with suitable resistance, width and length. Load the machine with the engine switched off, without a driver and pushed by an adequate number of people. During transport, close the fuel stopcock (if fitted), lower the cutting deck, engage the parking brake and fasten the machine securely with ropes or chains to the hauling device.

## 5.7 ADVICE ON HOW TO OBTAIN A GOOD CUT



1. To keep a lawn green and soft with a good appearance, it should be cut regularly without damaging the grass.
2. It is always better to cut the grass when dry.
3. The blade must be in good condition and well sharpened so that the grass is cut straight without any ragged edge that leads to yellowing at the ends.
4. The engine must run at full speed, both to ensure a sharp cut of the grass and to get the necessary thrust to push the cuttings through the collector channel.
5. The frequency of mowing should be in relation to the rate of growth of the grass, which should not be left to grow too much between one cut and the next.
6. During hot and dry periods, the grass should be cut a little higher to prevent the ground from drying out.
7. The appearance of the lawn will improve if you alternate the cutting in both directions.
8. If the collector channel tends to get blocked with grass, you should reduce the forward speed since this may be too high for the condition of the lawn. If the problem persists, the probable causes are either the badly sharpened blade or deformed wings.
9. Be very careful when mowing near bushes or kerbs since these could distort the horizontal position of the cutting deck, and damage its edge as well as the blade.

## 6. MAINTENANCE

### 6.1 SAFETY RECOMMENDATIONS

**⚠ WARNING!** Wear suitable clothing and strong gloves for dismantling and refitting the blade and in all other hazardous situations for the hands.

**⚠ WARNING!** Never use the machine with worn or damaged parts. Faulty or worn-out parts must always be replaced and not repaired. Only use original spare parts: The use or non-original and/or incorrectly fitted parts will compromise the safety of the machine, may cause accidents or personal injuries for which the Manufacturer is under no circumstance liable or responsible.

**⚠ WARNING!** Any adjustments or maintenance operations not described in this manual must be carried out by your Dealer or a specialized Service Centre. Both have the necessary knowledge and equipment to ensure that the work is done correctly without affecting the safety of the machine.

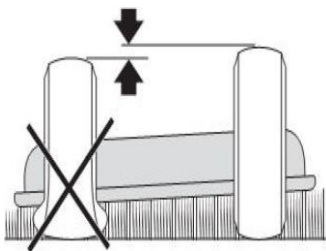
You must go to a specialized Service Centre or contact your Dealer if the following are malfunctioning:

- The brake
- The engagement and stop of the blade.
- The drive engagement in forward and in reverse gears.

### 6.3 INTERVENTIONS ON THE MACHINE

#### 6.3.1 Cutting deck alignment

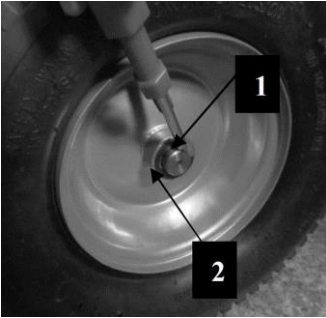
The cutting deck should be properly set to obtain a good cut.



If the cut is uneven, check the tire pressure.

If this is not sufficient to achieve an even cut, please contact your Dealer for the adjustment of the alignment of the cutting deck.

### 6.3.2 Replacing wheels



1. Place the machine on a flat surface and put blocks under a load-bearing part of the frame on the side of the wheel to be changed.
2. Using a screwdriver, remove the snap ring (1) and the washer (2).
3. Pull out the wheel.

#### **IMPORTANT**

Smear some waterproof grease on the axle and after refitting the wheel; carefully refit the washer (2) and the snap ring (1).

#### **NOTE**

If you have to replace one or both rear wheels, make sure that any differences in their external diameter does not exceed 8-10 mm; on the contrary, to prevent an uneven cut it will be necessary to adjust the alignment of the cutting deck.

### 6.3.3 Replacing and repairing tires

All puncture repairs or replacements will have to be carried out by a tire repair expert in accordance with the methods for the kind of tire used.

### 6.3.4 Dismantling, replacing and remounting the blade



#### **WARNING!**

Always wear work gloves when handling the blade.



#### **WARNING!**

Damaged or bent blades must always be replaced; never try to repair them! ALWAYS USE MANUFACTURER'S GENUINE REPLACEMENT BLADES BEARING THE SYMBOL!

## 7. ENVIRONMENTAL PROTECTION

Environmental protection should be a priority of considerable importance when using the machine, for the benefit of both social coexistence and the environment in which we live.

- Try not to cause any disturbance to the surrounding area.
- Scrupulously comply with local regulations and provisions for the disposal of waste.

## Disposal information



### Recycling raw materials instead of waste disposal.

Device, accessories and packaging should be recycled in an environmentally friendly manner. Plastic parts are identified for recycling according to material type.

Do not throw electric power tools into the household waste! In accordance with the European Directive 2012/19/EC on Waste Electrical and Electronic Equipment and transposition into national law used electric power tools must be collected separately and recycled in an environmentally friendly manner.



### WARNING!

Do not throw accumulators/batteries into the household waste, fire or water.

Do not open disused batteries.

Accumulators/batteries should be collected, recycled or disposed of in an environmentally friendly manner.

## 8. SPECIFICATIONS

Nominal engine power	1600 W
Engine speed	3300 /min
Maximum weight capacity	100 kg

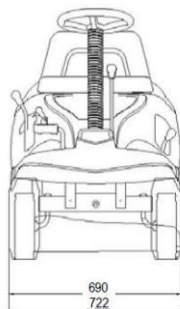
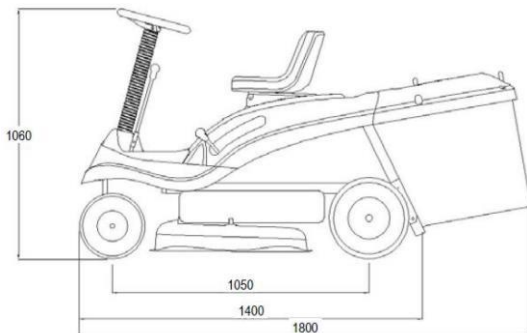
<b>Maximum noise and vibration levels</b>	
Operator ear noise pressure level	83,1 db(A)
Measurement uncertainty (2006/42/EC)	3 db(A)
Measured acoustic output level	96,64 db(A)
Guaranteed acoustic output level	98 db(A)
Vibration level	2,147 m/s <sup>2</sup>
Measurement uncertainty (2006/42/EC)	1,5 m/s <sup>2</sup>
Motor type:	
Electrical system	48V d.c.
Battery Li ion	20 Ah
Front tires	10x3.50



Rear tires	13x5.00
Front tire pressure	1,8 bar
Rear tire pressure	1,3 bar
Net weight	136 kg

Cutter width	685 mm (27")
Cutting height	35-75 cm
Grass-catcher capacity	150 L
Driving speed	0-9 km/h
in Reverse	0-2 km/h

**Battery charging time: 10h**





**Declaration of conformity  
BUILDER SAS  
ZI, 32 RUE ARISTIDE BERGES – 312070 CUGNAUX – FRANCE**

Declare that this machine:  
Battery riding lawn mower  
Model: FRE7050/FRE7050-UK

Serial number: 20190407926-20190407930; 20190407931-20190407935

Is in conformity with the directive « machine » 2006/42/CE and to regulations transposing it

Also in conformity with the following directives:

Directive EMC 2014/30/EU

Directive RoHS 2011/65/EU

Directive 2000/14/CE Annex VI, 2005/88/EC

the measured sound power level  $L_{wA}$  96.9 dB(A)  $K=0.61$ dB(A)

the guaranteed sound power level  $L_{wA}$  98 dB(A)

Also in conformity with the following standards:

EN ISO 5395-3:2013

EN 60335-1:2012

EN 60335-2-77:2010

EN 55014-1:2006+A1+A2

EN 55014-2:2015

Cugnaux, 28/03/2019

Philippe MARIE / PDG

A handwritten signature in black ink, appearing to read 'Philippe Marie', is written over a faint, circular stamp or watermark.

Responsible of technical file: M. Michel Krebs